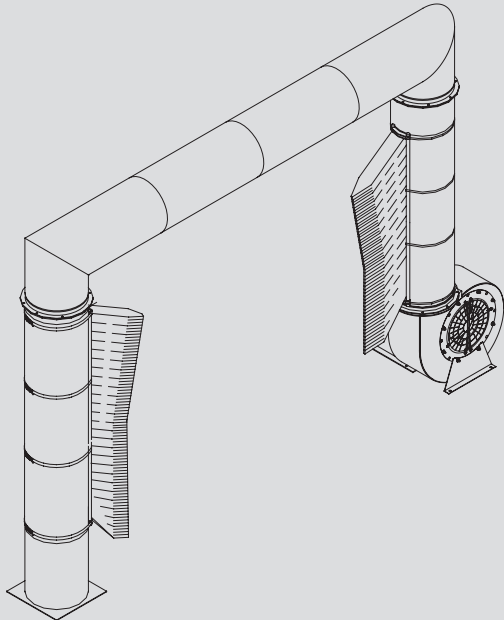


S130

30hp Side Surface Drying System



Proto-Vest Inc.®



Features & Benefits

- Ideal for a Variety of Line Speeds
- Only 30 Horse Power
- Touch Free Drying
- Rotary Mold Blower
- Low Maintenance

Motor Specifications

- 30hp, 3600 RPM's
- 208-230 / 460 volts
- 1.15 service factor
- Frame: 286TS
- 3 Phase
- (TEFC) Totally enclosed, fan-cooled

*NOTE: Wiring and controls to be provided by the purchaser:
Additional motor specifications available upon request.
Additional voltages available on special order.*

The S130's primary function is to dry the windows, doors, and fenders of the vehicle without touching. Utilizing only one 30hp blower, the S130 is both energy efficient and an effective drying solution. This dryer is usually packaged as a combination unit that can be used in conjunction with any additional Proto-Vest dryers.

Equipment Options



Silencer Package

Reduce decibel levels generated by the dryer to ensure a pleasant wash environment.



AirGate

Reduce horsepower usage and prolong the life of your dryer motor.

Your Choice in Air Bag Color

Proto-Vest dryers offer the unique option of different bag colors.

Below are the standard airbag choices.

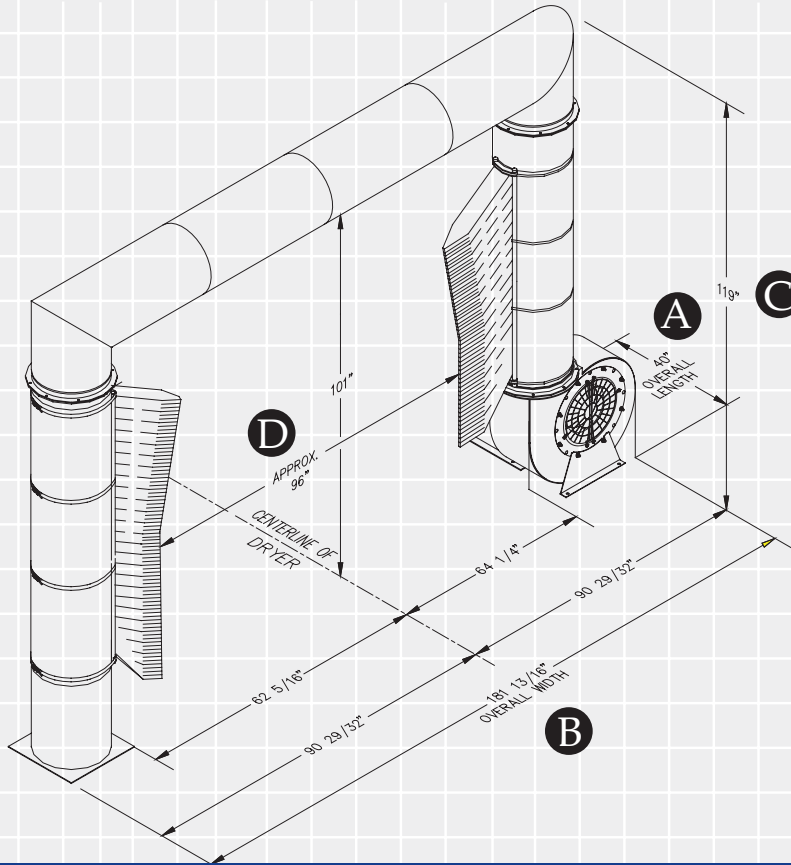


Custom colors also available.

The Ultimate In Drying Technology

S130

30hp Side Surface Drying System



Equipment Dimensions

- A** OVERALL LENGTH
40 in.
- B** OVERALL WIDTH
181 13/16 in.
- C** OVERALL HEIGHT
119 in.
- D** APPROX. OPENING WIDTH
96 in.

Weight: 1250 lbs. (approximate)

Decibel Readings

With Silencer / Without Silencer	
(WS)	(WOS)
S130 - (1) 30hp dryer:	
WS: 10 ft=76.9 dBA;	WOS: 10 ft=91 dBA
WS: 20 ft=70.9 dBA;	WOS: 20 ft=84.9 dBA
WS: 30 ft=67.4 dBA;	WOS: 30 ft=81.4 dBA
WS: 40 ft=64.9 dBA;	WOS: 40 ft=78.9 dBA
WS: 50 ft=63 dBA;	WOS: 50 ft=77 dBA

(The above decibel readings are interpolated.)

General Description

The Proto-Vest "S130" is designed as both a stand alone and modular drying system that is ideal for a variety of line speeds. This dryer is usually packaged as a combination unit that can be used in conjunction with any of the Windshear®, Stripper® or IP Series® line of products. When packaged as a modular system, the S130 assists by providing an additional 30-hp of drying capability to any carwash application. This patented system utilizes one 30-hp blower, plenum and two Proto-Duck™ side bags designed to direct air across the vehicle's vertical surfaces as it passes by the equipment.

Proto-Vest's stringent standards in material selection for its dryers result in extended equipment life and reduced maintenance. The S130's blower assembly is manufactured from a high density polyethylene, its plenum is made from 5052-H32 aluminum, and its bag is produced from durable Proto-Duck™ material to resist corrosion and tearing.

(Please note that Proto-Vest recommends routine maintenance in order to maximize product life.)

Service / Support

Proto-Vest recognizes that support after the sale of equipment is critical to the success of our customers. Our company offers its customers access to a wide range of services including: field service technicians, factory direct aftermarket parts, and an engineering staff for custom designed applications.

To contact customer support call us toll free at **800.521.8218** or go to www.protovest.com.

Proto-Vest Patents:

U.S.: 3,942,430; 4,161,801; 4,409,035; 4,418,442; 4,433,450; 4,445,251; 4,446,592; 4,589,160; 4,700,426; 5,027,714; 5,184,369; 5,187,881; 5,195,207; 5,280,665; 5,421,102; 5,553,346; 5,886,648; 5,901,461; 5,950,324; 5,960,564; 6,038,781; 6,176,024; 6,519,872; others pending.
Canada: 1,021,996; 1,111,328; 1,190,453; 1,201,040; 1,197,439; 1,219,195; 1,219,192; 1,219,194; 1,258,026; 1,219,193; 2,013,749; 2,071,568; 2,071,239; 2,071,388; others pending.

*Specifications subject to change without notice.

***If starting motor over 10-12 times an hour it may be more efficient to leave blower on.



7400 N. Glen Harbor Blvd., Glendale, AZ 85307
800-521-8218 • 623-872-8300 • Fax 623-872-6150
www.protovest.com